



**BRisbane Silicon**

**DPTx 1.4**



# DPTx 1.4

NOTE: specifications are based on AMD/Xilinx 28nm fabric

## Specifications

### Footprint

- 1000 Slice LUTs (min)
- 3500 Slice LUTs (max)
- 2300 Slice Registers (min)
- 4200 Slice Registers (max)
- 0 BRAM

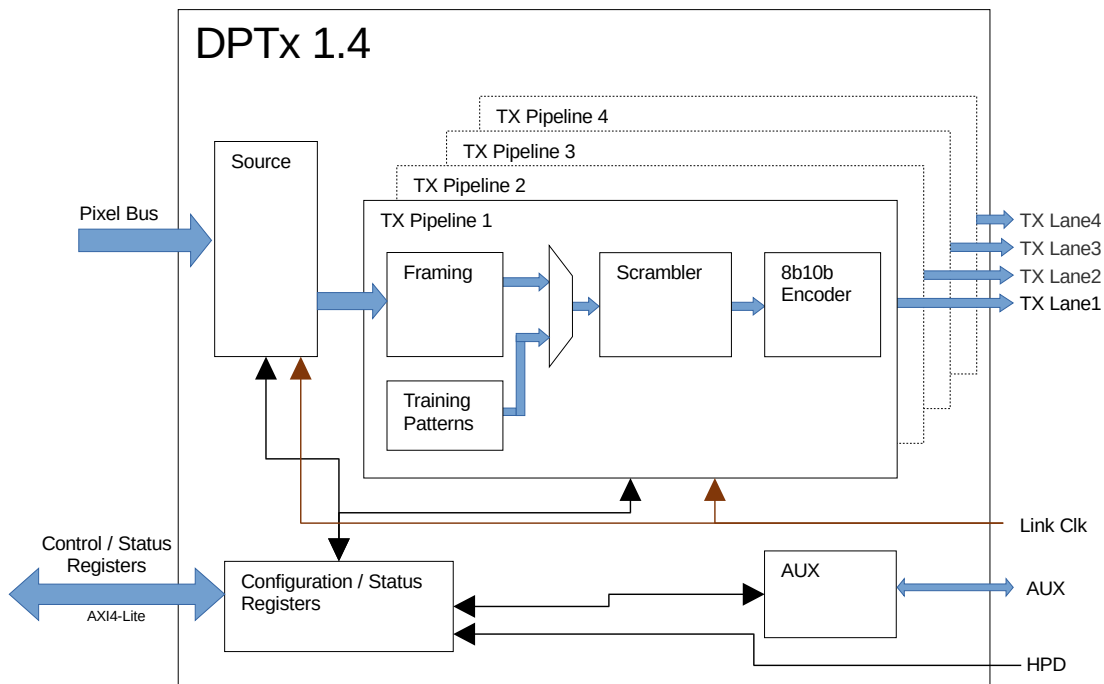
### Performance

400 MHz FMax

## Features

- Ultra-small footprint (min 1k LUT).
- Static, compile-time framing configuration.
- Simulation testbench, including software verification harness.
- Hardware proven.
- Example project, which demonstrates IP core bring-up and 4k60 video test pattern.

## Block Diagram





## DPTx 1.4

*NOTE: specifications are based on AMD/Xilinx 28nm fabric*

### Example Project

**Target** Numato Lab Mimas A7

**Description** The Microblaze hosts the Link Policy Maker firmware, which, upon HPD, initializes the DP1.2 TX PHY and DPTx1.4 core. The link training procedure is then performed, and once it successfully completes, the TFG is enabled to produce a configurable test pattern at a video framing of 4k60.

### Block Diagram

